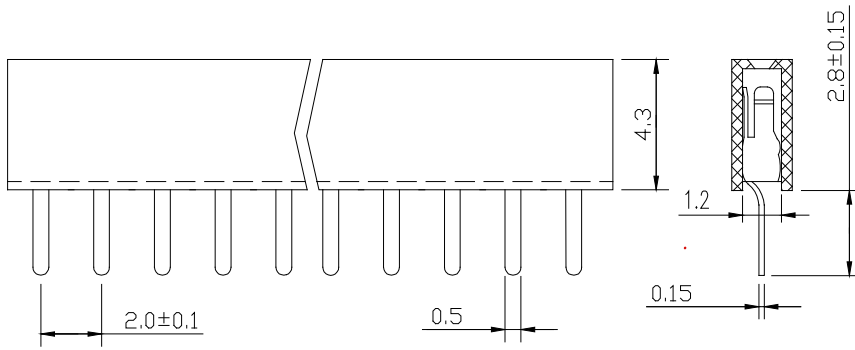
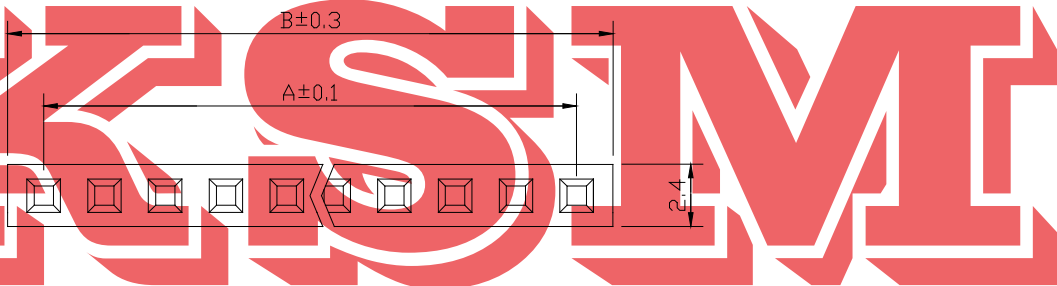


No.of Contacts	Dimension(mm)	
	A	B
3	4.0	6.5
4	6.0	8.5
5	8.0	10.50
6	10.00	12.50
7	12.00	14.50
8	14.00	16.50
9	16.00	18.50
10	18.00	20.50
11	20.00	22.50
12	22.00	24.50
13	24.00	26.50
14	26.00	28.50
15	28.00	30.50
16	30.00	32.50
17	32.00	34.50
18	34.00	36.50
19	36.00	38.50
20	38.00	40.50
21	40.00	42.50
22	42.00	44.50
23	44.00	46.50
24	46.00	48.50
25	48.00	50.50
26	50.00	52.50
27	52.00	54.50
28	54.00	56.50
29	56.00	58.50
30	58.00	60.50
31	60.00	62.50
32	62.00	64.50
33	64.00	66.50
34	66.00	68.50
35	68.00	70.50
36	70.00	72.50
37	72.00	74.50
38	74.00	76.50
39	76.00	78.50
40	78.00	80.50

MARK	PLACES	ZONE	ECN	DATE



MATERIAL:  
 INSULATOR : PBT,(UL 94V-0)  
 CONTACT : COPPER ALLOY,t=0.4mm  
 CONTACT FINISH : GOLD OVER NICKEL

SPECIFICATION:  
 CURRENT RATING :1.5AMP  
 DIELECTRIC WITHSTANDING VOLTAGE : 1000V AC PER MINUTE  
 INSULATION RESISTANCE : 1000MΩ MIN.  
 CONTACT RESISTANCE : 20mΩMAX.  
 OPERATING TEMPERATURE : -40℃~+105℃

Order Information:

03	XX	I	100	X	01
No.of pins per Row 1×40 2-40	Connector Type I=Straight L=Right Angle S=S.M.T	Con tact Plating 100=G/F 0.8u" 101=1u" 102=3u" 103=5u"	Insulator Material Option A:BK-PBT B:BK-PA66 C:BK-PA6T D:BK-PA46 E:BK-LCP F:special	spacs 01=2.54mm 02=2.0mm 03=1.27mm	

**Shanghai ZhouRi Electronics.,CO.,Ltd.**  
**Add:No.668 Beijing East Road**  
**Tel:86-21-51571121 53085565**  
**Fax:86-21-51571120**  
**Http:www.ksmchina.com**  
**E-mail:zhouri119110163.com**

UNLESS OTHERWISE SPECIFIED  
 TOLERANCE  
 DIMENSION DECIMAL ANGLE  
 X.X ±0.3 ±0.5°  
 X.XX ±0.2 ±0.1°  
 X.XXX ±0.05

2.00mm Female Header,  
Single Row,Straight

MODEL NO. Female Header  
 DWG. NO. ZR-Female Header-006

MATERIAL FINISH  
 COLOR QUANTITY

上海洲日电子有限公司  
 Shanghai ZhuoRi Electronics CO.,LTD.

P.C.B LAYOUT

DESIGNED	Item NO.				
CHECKED	REV. A	SCALE 1:1	UNIT mm	SIZE A4	
APPROVED	THE THIRD ANGLE PROJECTION	SHEET OF		PAGES	